



# High End Systems Lonestar Automated Luminaire User Manual

Version 1.6.7

Part Number: 2550M1200-1.6.7 Rev: B

Released: 2025-04

To view a list of ETC trademarks and patents, go to [etconnect.com/ip](http://etconnect.com/ip). All other trademarks, both marked and not marked, are the property of their respective owners.

You can find complete High End Systems terms and conditions and warranty information at [etconnect.com/Support/Warranty.aspx](http://etconnect.com/Support/Warranty.aspx).

For a complete list of all third-party licenses that are fully incorporated herein to the extent required by each third-party license terms and conditions, please visit [etconnect.com/licenses](http://etconnect.com/licenses).

Some software or hardware features may not be available depending on your product configuration or region.

The images provided in this document are for illustrative purposes only. Depending on the product details and market region, the information in this document may appear slightly different from your product.

ETC intends this document, whether printed or electronic, to be provided in its entirety.

# Table of Contents

Introduction .....	5
Document Conventions .....	5
Help from Technical Services .....	6
Safety Considerations .....	7
General Operation and Use Guidelines .....	9
Fixture Overview .....	10
Specifications .....	11
Environment .....	11
Power .....	11
Electrical .....	11
Input and Power Factor .....	11
Fixtures per Circuit .....	11
Connector Specifications .....	12
Install the Fixture .....	13
DMX Control .....	15
DMX Connector Pinout .....	15
Connect DMX Cables to Fixture .....	15
Terminate DMX .....	16
DMX Control and Ethernet Output .....	16
Set the DMX Start Address .....	16
DMX Channels .....	16

<b>Ethernet Control</b> .....	17
Connect Ethernet Cables to a Fixture .....	17
Ethernet Control and DMX Thru .....	18
Terminate DMX .....	18
Set the DMX Start Address .....	18
Set the Control Input and Universe .....	18
<b>Configure the Fixture</b> .....	19
Navigate the User Interface .....	19
Set Fixture Parameters .....	20
DMX Address .....	20
Info Menu .....	20
Set Menu .....	22
Test Menu .....	26
Preset Menu .....	26
<b>Install the Heavy Diffusion Accessory</b> .....	27
<b>Replace a Gobo</b> .....	30
Considerations for Custom Gobos .....	30
Gobo Orientation .....	30
Replace a Gobo .....	31
<b>Error Codes</b> .....	34
<b>Maintenance</b> .....	37
Clean the Fixture .....	37
Replace the Fuse .....	37
<b>Compliance</b> .....	38
FCC Compliance .....	38

# Introduction

---

This manual provides important information for the safe installation, configuration, and maintenance of your High End Systems Lonestar fixture. For your safety, read this entire manual prior to installing, operating, or servicing the fixture.

ETC recommends that you update your fixture with the latest version of software before you use the fixture. Software is available for free download from the ETC website:

[etconnect.com/Products/Automated-Fixtures](http://etconnect.com/Products/Automated-Fixtures).

- See [View Software Version on page 21](#) to determine which version of software is currently installed on your fixture.
- See [Configure the Fixture on page 19](#) for instructions about updating your fixture.

## Document Conventions

This document uses the following conventions to draw your attention to important information.



**Note:** Notes are helpful hints and information that is supplemental to the main text.

---



**CAUTION:** A Caution statement indicates situations where there may be unwanted consequences of an action, potential for data loss, or an equipment problem.

---



**CAUTION: Hot Surfaces.** This statement indicates that while operating, equipment surfaces may reach very high temperatures. Allow the fixture to cool before handling or servicing.



**WARNING:** A Warning statement indicates situations where damage may occur, people may be harmed, or there are serious or dangerous consequences of an action.

---



**WARNING: RISK OF ELECTRIC SHOCK!** This warning statement indicates situations where there is a risk of electric shock.

---

All ETC automated lighting documentation is available for free download from our website: [etconnect.com/Products/Automated-Fixtures](http://etconnect.com/Products/Automated-Fixtures).

Please email comments about this manual to: [TechComm@etconnect.com](mailto:TechComm@etconnect.com).

## Help from Technical Services

If you have questions that are not answered by this document, try the ETC support website at [support.etconnect.com](http://support.etconnect.com) or the ETC LED Automated Lighting product website at [etconnect.com/Products/Automated-Fixtures](http://etconnect.com/Products/Automated-Fixtures). If none of these resources are sufficient, visit [etconnect.com/contactETC](http://etconnect.com/contactETC) and contact ETC Technical Services. Emergency service is available from all ETC offices outside of normal business hours.

When calling for help, take these steps first:

- Prepare a detailed description of the problem
- Go near the equipment for troubleshooting
- Find your ticket number if you have called in previously

# Safety Considerations

---

To ensure safe operation, follow the safety instructions and warning notes in the user manual.

- This fixture is intended for professional use only. Not for residential use. Read the entire manual before using this equipment.
  - Contact your authorized ETC dealer or Technical Services before performing any service in order to maintain warranty coverage.
- 



## **WARNING: Note the following safety warnings before use:**

- This equipment is designed for operation by qualified personnel only.
  - Do not stare at the operating lamp. May be harmful to the eyes.
  - Replace fuses with the specified type and rating only. See [page 37](#).
  - Ensure that the available voltage is within the stated range. See [page 11](#).
  - Do not use this fixture with a damaged power lead (cord set). If the lead is damaged, it must be replaced by a qualified technician with an equivalent type before use. Contact your local authorized dealer for replacement power leads.
  - Do not use this fixture if the lens is damaged. Damaged lenses must be replaced before use. Contact your local authorized dealer for a replacement.
  - The fixture should be positioned so that prolonged staring into the fixture at a distance closer than 6.4 m (21 ft) is not expected.
  - Do not mount the fixture on or near flammable surfaces.
  - Minimum distance from fixture head to combustible materials: 0.1 m (4 in).
  - Minimum distance to lighted objects: 3.0 m (9 ft 10 in).
- 



## **AVERTISSEMENT : Pour votre sécurité, lisez les mises en garde et les avis suivants avant toute utilisation :**

- Cet équipement est conçu pour être utilisé par un personnel qualifié uniquement.
  - Ne regardez pas la lampe en fonctionnement. Peut être nocif pour les yeux.
  - Remplacez les fusibles uniquement par le type et le calibre indiqués. Voir [page 37](#).
  - Veillez à ce que la tension disponible soit dans la plage indiquée. Voir [page 11](#).
  - N'utilisez pas ce projecteur avec un cordon d'alimentation endommagé (fils électriques). Si le cordon est endommagé, un technicien qualifié doit le remplacer par un cordon de type équivalent avant que l'appareil ne puisse être utilisé. Contactez votre distributeur agréé local pour obtenir des cordons d'alimentation de rechange.
  - N'utilisez pas cet appareil si la lentille est endommagée. Les lentilles endommagées doivent être remplacées avant l'utilisation. Contactez votre revendeur agréé local pour un remplacement.
  - L'appareil doit être positionné de manière à ce qu'un regard prolongé dans l'appareil à une distance inférieure à 6,4 m (21 pi) soit peu probable.
  - Ne pas installer le projecteur sur ou à côté d'une surface inflammable.
  - Distance minimum entre la tête du luminaire et les matériaux combustibles : 0.1 m (4 in).
  - Distance minimum avec les objets éclairés : 3.0 m (9 ft 10 in).
-



**WARNING: RISK OF ELECTRIC SHOCK!**

- Do not operate this device with the cover open.
- Disconnect the fixture from power and DMX and allow it to cool before performing any cleaning and maintenance.

**AVERTISSEMENT : RISQUE DE CHOC ÉLECTRIQUE!**

- N'utilisez pas cet appareil avec le couvercle ouvert.
- Débrancher la lampe de son alimentation et du DMX et la laisser refroidir avant d'effectuer un nettoyage ou un entretien.



**RISK GROUP 2: CAUTION.** *Possibly hazardous optical radiation emitted from this product. Do not stare at operating lamp. May be harmful to the eyes.*

**GROUPE DE RISQUE 2 (RISQUE MODÉRÉ) : ATTENTION.** *Rayonnement optique potentiellement dangereux émis par ce produit. Ne regardez pas la lampe en fonctionnement. Peut être nocif pour les yeux.*



**CAUTION: Hot Surfaces.** *Allow the device to cool completely before handling and servicing.*



**ATTENTION : Surfaces chaudes.** *Laissez le luminaire refroidir complètement avant de le manipuler et de procéder à son entretien.*



**Note:** *The light source in this luminaire is not user-replaceable, and must be replaced only by a qualified technician. Contact ETC Customer Support for assistance.*

Symbols used on the product label are defined below:

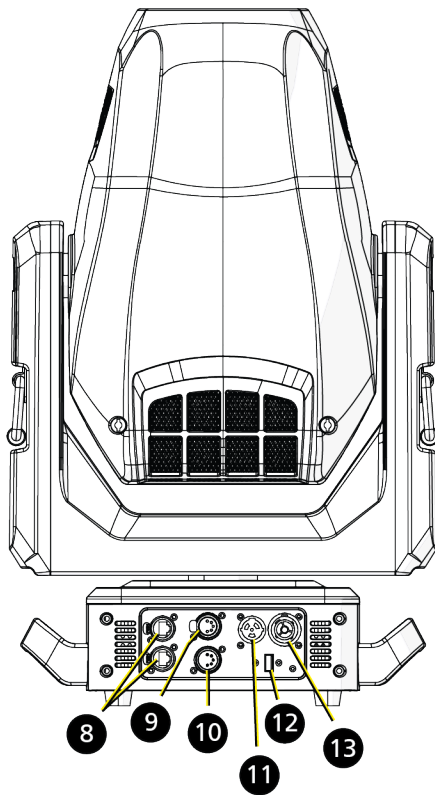
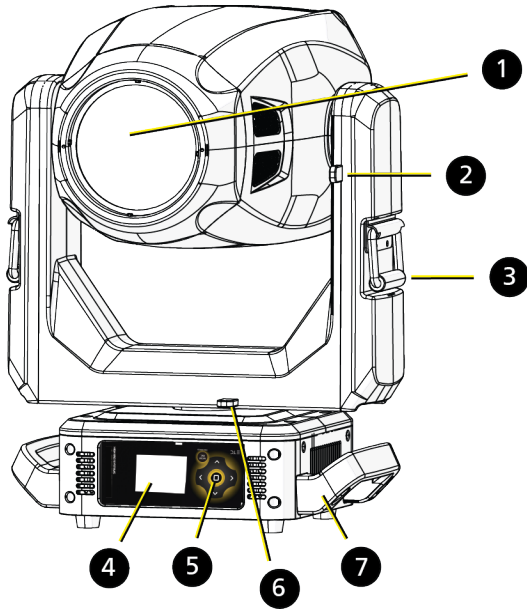
	The luminaire must be installed at least 3.0 m (9 ft 10 in) away from all lighted objects.	Le luminaire doit être installé à au moins 3,0 m (9 pi. 10 po.) de tout objet éclairé.
	General warning	Avertissement général
	Do not stare at the operating light source.	Ne pas regarder la source de lumière lorsqu'elle fonctionne.
	This product should not be discarded as unsorted waste but must be sent to separate collection facilities for recovery and recycling.	Ce produit ne doit pas être jeté avec les déchets ménagers mais doit être déposé dans une collecte de déchets électroniques ou dans un point de collecte.
$t_a$ or $T_a$	Rated maximum ambient temperature	Température ambiante maximale recommandée
$t_c$ or $T_c$	Rated maximum case temperature	Température maximale recommandée pour le boîtier
	Operate indoors only, not where this product would be exposed to the weather.	Ne fonctionne qu'à l'intérieur, pas là où ce produit serait exposé aux intempéries.

## General Operation and Use Guidelines

- This fixture is only allowed to be operated within the alternating current range that is stated in the technical specifications label provided on the fixture.
- Lighting effects are not designed for permanent operation. Consistent operation breaks may extend the life of the fixture.
- When choosing the installation location, make sure the fixture will not be exposed to extreme heat, moisture, or dust.
- Do not point the lens toward the sun or other bright light source. Doing so could damage the fixture.
- If using the supplied brackets with quick-locking thumb screws to hang the fixture, ensure that the thumb screws have engaged a complete 90-degree positive latch.
- Operate the fixture only after having familiarized yourself with its functions. Do not permit persons who are not qualified and familiar with its functions to operate the fixture.
- Do not modify the fixture. Any modifications will void the warranty.
- This manual describes the proper installation and operation of this fixture. Using this fixture in any way other than the intended use may cause damage and void the warranty.
- When the fixture has been stored or transported in cold temperatures, allow it to warm to room temperature for a minimum of one hour before applying power. Applying power to a cold fixture may cause damage to the fixture and void the manufacturer warranty.
- When you power on the fixture, you may notice smoke or odor. This is normal and should decrease gradually. If smoke or odor persists, disconnect the fixture from power and contact your ETC dealer or Technical Services.
- Please use the original packaging if the fixture is to be transported. ETC will not be responsible for the fixture if packaging other than manufacturer provided packaging is used.

# Fixture Overview

---



- 1: Lens
- 2: Tilt lock
- 3: Yoke handle
- 4: Display
- 5: Navigation controls
- 6: Pan lock
- 7: Handle
- 8: Ethernet ports (x2)
- 9: DMX Thru
- 10: DMX In
- 11: Power In
- 12: USB
- 13: Power Out

# Specifications

---

For complete technical specifications, see the technical datasheet:

[etconnect.com/Products/High-End-Systems/Lighting-Fixtures/Lonestar/Documentation.aspx](http://etconnect.com/Products/High-End-Systems/Lighting-Fixtures/Lonestar/Documentation.aspx).

## Environment

- Ambient operating temperature range: -10°C to 40°C (14°F to 104°F).
- Relative humidity: 0%–90%, non-condensing.
- Storage temperature: -20°C to 60°C (-4°F to 140°F).
- Indoor use only.
- Dry locations only, IP20 rated.

## Power

---



**WARNING:** Connect the fixture to a non-dimmable power source in order to avoid damage to the fixture's internal power supply and other electrical components. Using a dimmable power source can damage the fixture and will void the warranty.

---

## Electrical

- 100–240 VAC at 50/60 Hz
- Maximum power consumption: 615 W

## Input and Power Factor

The values listed below were measured with the fixture in Standard mode with LEDs at full and all motors functioning.

VAC	Amps	Hz	Watts	VA	PF
100	6.2	50	615	619	0.99
120	5.1	60	611	614	0.99
200	2.9	50	570	602	0.97
208	2.9	60	583	602	0.97
220	2.7	50	579	599	0.97
230	2.6	50	580	596	0.96
240	2.5	60	575	607	0.95



**CAUTION:** Using this fixture below 100 V on a 15 A breaker may cause the breaker to trip. Ensure that the circuit can handle the fixture's maximum potential draw before you connect it.

---

## Fixtures per Circuit

- 2 fixtures via the 15 A power thru connectors
- 3 fixtures via an ETC R20 or similar breaker module

Consult the upstream breaker trip curves when using something other than an ETC R20 or similar breaker module.

## Connector Specifications

---



**WARNING: Risk of Shock and Fire. Assemble a grounding-type attachment plug with integral cord grip that is within the voltage and amperage rating of this luminaire.**

**AVERTISSEMENT : Risque de choc et d'incendie. Assurez-vous d'utiliser une prise de mise à la terre avec décharge de traction intégrée qui respecte la tension et l'ampérage de ce luminaire.**

---

A power input cable with powerCON® TRUE1® TOP input to bare ends is provided. The power input cable is rated for maximum 20 A (120 VAC/60 Hz) and 16 A (240 VAC/50 Hz). Install a suitable connector to meet the installation requirements. See the following wire color code chart:

Wire Color Code (EU)	Wire Color Code (US Standard)	Connection type	Terminal
Green/Yellow	Green	Earth/Ground	$\perp$
Blue	White	Neutral	N
Brown	Black	Line (Live)	L

# Install the Fixture

---

Overhead rigging must be performed by qualified personnel. Follow all local and national codes and recommended practices.

---



## WARNING:

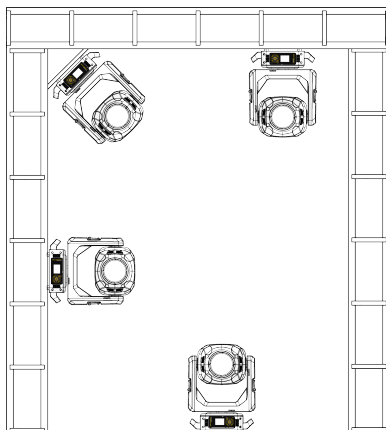
- The installation location must support a minimum point load of 10 times the weight of the fixture. Fixture weight is 22.7 kg (50 lb).
  - The installation must always be secured with a secondary safety attachment. An appropriate safety cable is supplied.
  - Safety cable attachment must be rated by a safety factor of 10.
  - A supportive and stable surface must be used when fixtures are placed on their feet.
  - Never stand directly below the installed fixture when mounting, removing, or servicing the fixture.
  - All safety and technical aspects of fixture installation must be approved by qualified personnel before operation.
  - The installation must be regularly inspected by qualified personnel.
- 

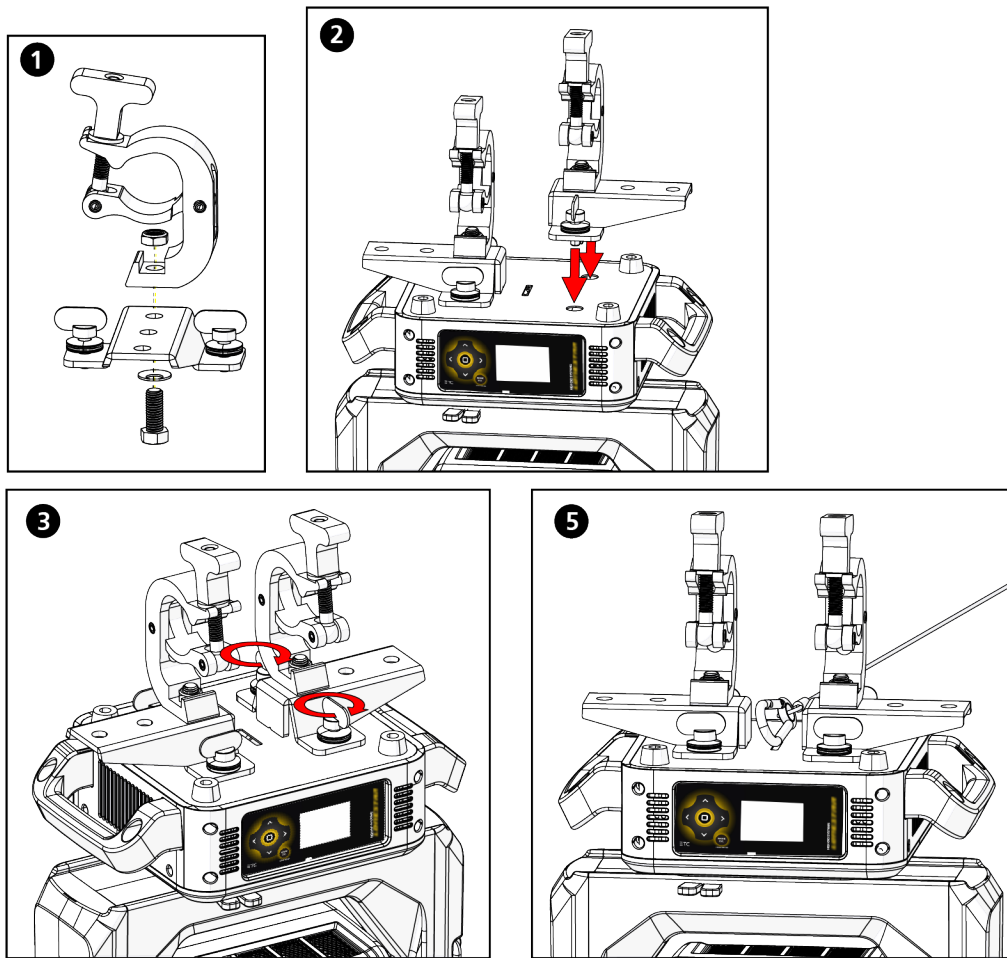


## AVERTISSEMENT :

- L'emplacement d'installation doit supporter une charge concentrée minimale de 10 fois le poids de l'appareil. Le poids du projecteur est de 22.7 kg.
  - L'installation doit toujours être sécurisée par une fixation de sécurité auxiliaire. Un câble de sécurité approprié est fourni.
  - La fixation du câble de sécurité doit être classée avec un facteur de sécurité de 10.
  - Une surface d'appui stable doit être utilisée quand les projecteurs sont placés sur pieds.
  - Ne vous placez jamais directement sous le projecteur lors du montage, du démontage ou de son entretien.
  - Tous les aspects techniques et de sécurité de l'installation du projecteur doivent être approuvés par un personnel qualifié avant qu'il ne soit utilisé.
  - L'installation doit être régulièrement inspectée par du personnel qualifié.
- 

You can install the fixture in any of the orientations shown below.





1. Assemble the clamp (provided by others) to the bracket that was provided with the fixture and secure together using appropriately sized hardware (not provided). You can use any of the holes in the three-position bracket depending on how you want to align the fixture in the truss.
2. Align the assembled bracket and quick-lock fasteners into the respective holes on the bottom of the fixture upper enclosure.
3. Tighten each of the quick-lock fasteners fully, turning clockwise. You will hear and feel a click when the fastener is fully secured.
4. Repeat steps 1 through 3 for the second clamp and bracket.
5. Attach the provided safety cable through the attachment point on the bottom of the fixture upper enclosure.
6. Attach the fixture to the installation location using the clamp manufacturer's instructions for a secure fit. When using an Omega clamp, close the safety and fully tighten the clamp wing nut until secure.
7. Secure the safety cable to the trussing system or some other safe installation point. Follow local codes and recommended safety standards for securing the fixture to the installation location.
8. Unlock the pan and tilt locks.
9. Apply power to the fixture.
10. Inspect the installation prior to lifting the fixture overhead.

# DMX Control

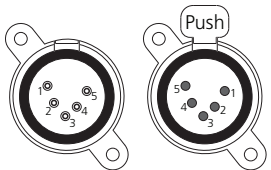
The Lonestar fixture operates on standard DMX512 control bus, controlled by a DMX console. The fixture requires 48 channels of DMX.

Attach the fixture to the control bus using a two-core, shielded cable with a 5-pin XLR connector (Belden 9729 is preferred). DMX512 connections must be Class 2.

The fixture includes two 5-pin XLR connectors, one for DMX Input and one for DMX Thru (for use when daisy-chaining fixtures on the DMX control bus).

## DMX Connector Pinout

Use the following standard pinout when preparing DMX cable with 5-pin XLR connectors. ETC recommends using Belden 9729 or equivalent cable. (See the ETC cable cross database for equivalent alternatives: [etcconnect.com/cablecross](http://etcconnect.com/cablecross).) The second data pair in the recommended cable type is not used, but is reserved future service.

DMX Pinout for Five-Pin XLR	Pin	Use
	1	Common (shield)
	2	Data -
	3	Data +
	4	Not connected
	5	Not connected

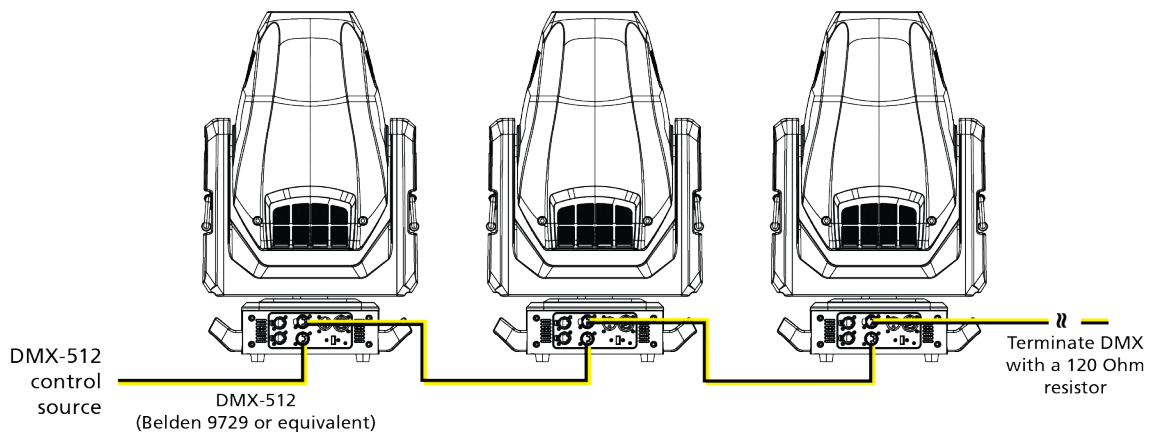
## Connect DMX Cables to Fixture

The following instructions are guidelines for connecting DMX to your fixture. Your installation may vary.

1. Connect a DMX data cable to the DMX control source and the DMX In XLR receptacle on the first fixture in the DMX data run.
2. Link the remaining fixtures in the data run by connecting a DMX data cable from the DMX Thru connector on a fixture to the DMX In connector on the next fixture in the data run.



**Note:** To ensure that cumulative leakage current on control wiring does not exceed 3.5 mA, connect no more than 32 DMX devices on a single DMX data run.



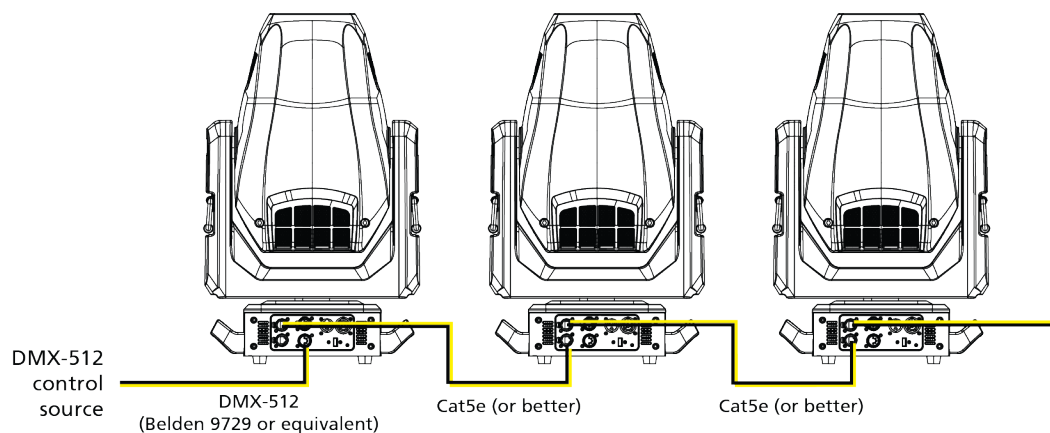
## Terminate DMX

Use a DMX terminator or install a resistor on the last fixture of the DMX control run to prevent corruption (data reflection) of the digital control signal by electrical noise.

A DMX terminator is an XLR plug with a  $120\ \Omega$  resistor connected between pins 2 and 3 that can be installed into the DMX output receptacle of the last fixture in the DMX control run. Contact your authorized dealer or ETC for ordering information ([etcconnect.com/contactETC](http://etcconnect.com/contactETC)), or purchase an XLR DMX terminator from the ETC Online Shop ([shop.etcconnect.com](http://shop.etcconnect.com)).

## DMX Control and Ethernet Output

You can use DMX-512 control and Ethernet output. When a fixture is set up to receive DMX-512 control input, it converts the signal to Art-Net on IP10 and sends the signal to the Ethernet port, continuing the Art-Net on IP10 signal to the next fixture in the control run.



## Set the DMX Start Address

Give each fixture a unique DMX starting address so that the correct fixture responds to the control signals. This DMX start address is the channel number from which the fixture starts to “listen” to the digital control information sent out from the control source.

Modify the fixture DMX start address on the user interface, located on the upper enclosure. See [DMX Address on page 20](#).



**Example:** *The Lonestar has 48 channels. If you set the DMX starting address of the first fixture to 1, you could set the second fixture to 49 (48+1), the third to 97 (48+49), and so on.*

## DMX Channels

The current DMX channel map for the Lonestar can be found on the ETC website: [etcconnect.com/Products/High-End-Systems/Lighting-Fixtures/Lonestar/Documentation.aspx](http://etcconnect.com/Products/High-End-Systems/Lighting-Fixtures/Lonestar/Documentation.aspx).

# Ethernet Control

---

The Lonestar fixture includes two Ethernet ports that allow sending and receiving of control signals using the Art-Net protocol or sACN.

Use a Cat5e (or better) cable and terminate to RJ45 connectors following the TIA/EIA 568B wiring standard.

## Connect Ethernet Cables to a Fixture

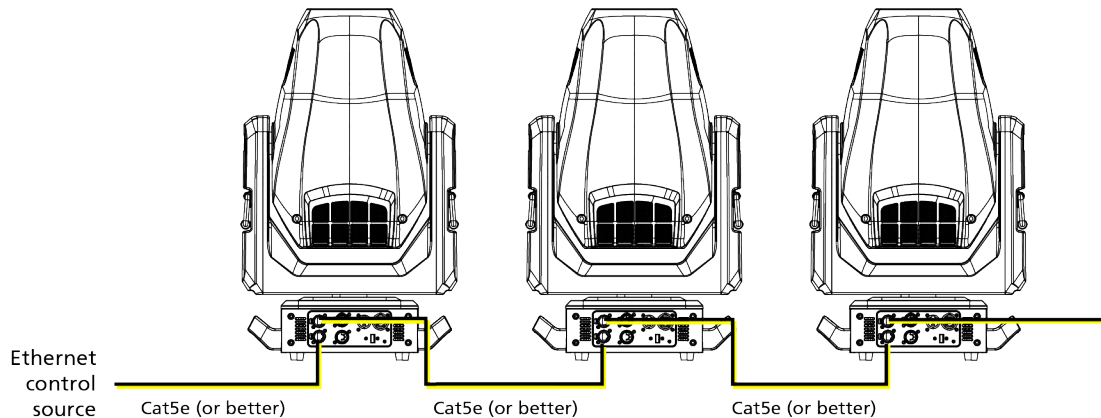
The following instructions are guidelines for connecting Ethernet to your fixture. Your installation may vary.

1. Connect a cable from the Ethernet control source to one of the Ethernet ports on the first fixture in the Ethernet control run.
2. Connect the first fixture to a second fixture by connecting a cable from the second Ethernet port on the first fixture to one of the Ethernet ports on the second fixture.
3. Continue linking the remaining fixtures by connecting a cable from Ethernet port to Ethernet port on the fixtures on the control run.



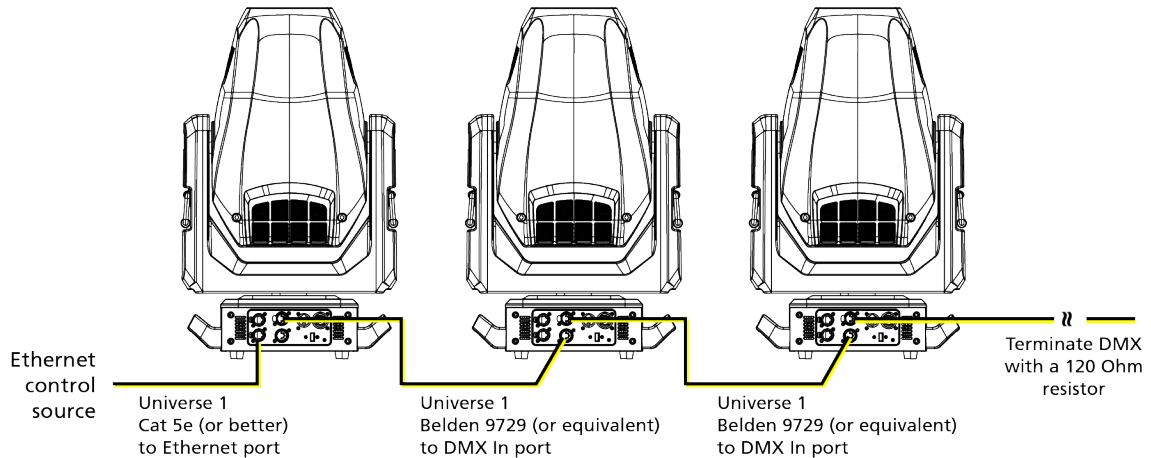
**Note:** *The Cat5e cable distance should not exceed 100 m (328 ft), and you should not connect more than 20 fixtures in one Ethernet control run.*

---



## Ethernet Control and DMX Thru

You can use Ethernet control and DMX Thru. When a fixture is set up to receive Ethernet control input, it automatically distributes DMX via the DMX Thru port. The DMX signal is sent as a single universe that corresponds to the universe of the fixture that is receiving Ethernet control. This works with either the Art-Net protocol or sACN.



## Terminate DMX

Use a DMX terminator or install a resistor on the last fixture of the DMX control run to prevent corruption (data reflection) of the digital control signal by electrical noise.

A DMX terminator is an XLR plug with a 120  $\Omega$  resistor connected between pins 2 and 3 that can be installed into the DMX output receptacle of the last fixture in the DMX control run. Contact your authorized dealer or ETC for ordering information ([etconnect.com/contactETC](http://etconnect.com/contactETC)), or purchase an XLR DMX terminator from the ETC Online Shop ([shop.etconnect.com](http://shop.etconnect.com)).

## Set the DMX Start Address

Give each fixture a unique DMX starting address so that the correct fixture responds to the control signals. This DMX start address is the channel number from which the fixture starts to "listen" to the digital control information sent out from the control source.

Modify the fixture DMX start address on the user interface, located on the upper enclosure. See [DMX Address on page 20](#).



**Example:** *The Lonestar has 48 channels. If you set the DMX starting address of the first fixture to 1, you could set the second fixture to 49 (48+1), the third to 97 (48+49), and so on.*

## Set the Control Input and Universe

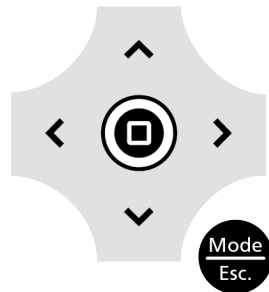
For Ethernet control, you must configure the control input (Art-Net on IP2, Art-Net on IP10, or sACN) and set a universe for each fixture. See [Select Input on page 23](#) and [Set Universe for Art-Net and sACN on page 23](#) for details.






# Configure the Fixture

---

You can configure Lonestar fixtures through the onboard user interface.

## Navigate the User Interface



1. Press the [MODE/ESC] button  to access the main menu. (The display is powered by battery when the fixture has no power; press and hold the [MODE/ESC] button  for three seconds to access the main menu.)
2. Browse the menu by pressing the up, down, left, or right navigation buttons.
3. Press the Enter button  to select a menu item.
4. Modify the selection by pressing the up, down, left, or right navigation buttons according to the selection.
5. Press the Enter button  to confirm a modified selection.
6. To exit the menu, press the [MODE/ESC]  button.

## Set Fixture Parameters

This section provides instructions to configure and set up the Lonestar. See [Navigate the User Interface on page 19](#) for information about the navigation buttons.

Provide power to the fixture before configuring it. If you do not provide power, the fixture will use battery power to power the user interface.

### DMX Address

**Navigate:** Main Menu → Address

Set the DMX address for the fixture. The default value is 001.

### Info Menu

#### *Set the Time Information*

**Navigate:** Main Menu → Info → Time Info

Parameter	Value	Description
Current Time	XXXX (Hours)	Running time of the fixture from the last time that the fixture was powered on, shown in hours (h). The counter resets after the fixture is turned off.
Ttl Life Hrs	XXXX (Hours)	Total running time of the device, shown in hours (h).
Last Run Hrs	XXXX (Hours)	Running time of the fixture from the last time that the run time value was reset, shown in hours (h).
LED Hours	XXXX (Hours)	Total running time of the fixture LEDs, shown in hours (h).
Timer PIN	Timer PIN XXX	You must enter the Timer PIN in order to access the Clr Last Run menu item. The default Timer PIN is 038.
Clr Last Run	<ul style="list-style-type: none"><li>• ON</li><li>• OFF</li></ul>	This password-protected menu item resets the Last Run Hrs value. You must enter the Timer PIN to access this menu item.  Select ON to clear the value for the Last Run Hrs parameter for the fixture.
LED Time PIN	LED Time PIN XXX	You must enter the LED Time PIN in order to access the Clear LED Time menu item. The default LED Time PIN is 038.
Clear LED Time	<ul style="list-style-type: none"><li>• ON</li><li>• OFF</li></ul>	This password-protected menu item resets the LED Hours value. You must enter the LED Time PIN to access this menu item.  Select ON to clear the value for the LED Hours parameter.

#### *View Fixture Errors*

**Navigate:** Main Menu → Info → Error History

Displays any current fixture errors. See [Error Codes on page 34](#) for information about the errors.

## ***View DMX Values for Channels***

**Navigate:** Main Menu → Info → DMX Value

View the DMX value of each of the fixture's channels (parameters of the fixture). Scroll to the parameter that you want to view (Pan, Tilt, etc.) and view the value. The DMX value that you view is the DMX value that displays on the main window of the UI until you select a different DMX value to view.

## ***View Fixture Head Temperature***

**Navigate:** Main Menu → Info → Head Temp

Displays the current fixture temperature as read from the fixture head (near the CMY filter).

## ***View Power Temperature***

**Navigate:** Main Menu → Info → Power Temp

Displays the current temperature as read from the power supply in the fixture base, which can help you to determine if the power supply is overheating.

## ***View Fan Speeds***

**Navigate:** Main Menu → Info → Fan Speed

Displays the speeds of the fixture's fans (in RPM).

## ***View Sensor Status***

**Navigate:** Main Menu → Info → LED Sensor

Displays the status of the sensors, which can help you to determine whether the fixture is recognizing the movement and position of the wheel. The display toggles between ON and OFF as the magnet passes the sensor.

## ***View Ethernet IP Address***

**Navigate:** Main Menu → Info → Ethernet IP

Displays the Ethernet IP address for the fixture. You can modify this value in the Set menu. See [Access Service Settings on page 23](#).

## ***View Software Version***

**Navigate:** Main Menu → Info → Software Ver

Displays the software version installed on the fixture.

## Set Menu

### *Set the Status Options*

**Navigate:** Main Menu → Set → Status

Parameter	Value	Description
No DMX Mode	<ul style="list-style-type: none"><li>• Close Shutter</li><li>• Hold</li><li>• Auto Program</li></ul>	Control mode when DMX is absent. The default value is Hold.
Pan Reverse	<ul style="list-style-type: none"><li>• ON</li><li>• OFF</li></ul>	Reverse the pan movement of the fixture. The default value is OFF.
Tilt Reverse	<ul style="list-style-type: none"><li>• ON</li><li>• OFF</li></ul>	Reverse the tilt movement of the fixture. The default value is OFF.
Pan Degree	<ul style="list-style-type: none"><li>• 630</li><li>• 540</li></ul>	Change the pan rotation of the fixture from the default setting of 540 degrees to 630 degrees.
Encoders	<ul style="list-style-type: none"><li>• ON</li><li>• OFF</li></ul>	Turn on or off the encoder feedback for pan and tilt movement. You may want to turn off encoders when working on a fixture so that you can move pan and tilt without the fixture automatically moving back to position.
Pan/Tilt Spd	1–4	Set the speed (scan mode) of pan and tilt movement. The default value is 1. Use this parameter to make fine adjustments to pan and tilt movement in order to correct for mis-stepping when the fixture is installed on its side (side-hung, or "Outrig").
Hibernation	<ul style="list-style-type: none"><li>• OFF</li><li>• 1–99 minutes</li></ul>	Hibernation mode forces the LEDs and stepper motors to power off when the fixture loses DMX control signal for a set period of time. The default time setting is 15 minutes.
Dimming Mode	<ul style="list-style-type: none"><li>• 16 kHz</li><li>• 2.4 kHz</li></ul>	Set the dimming curve and pulse width modulation (PWM) frequency. The default value is 16 kHz.  16 kHz is quieter than 2.4 kHz and creates a beam that does not flicker when shown on camera. 2.4 kHz prioritizes flawless, stepless dimming.
P/T Home Mode	<ul style="list-style-type: none"><li>• Standard</li><li>• Tilt First</li><li>• Pan First</li></ul>	Set the order in which pan and tilt homing is performed. <ul style="list-style-type: none"><li>• Standard: the pan and tilt home procedures run simultaneously.</li><li>• Tilt First: the tilt home procedure runs to completion, then the pan home procedure begins.</li><li>• Pan First: the pan home procedure runs to completion, then the tilt home procedure begins.</li></ul>

## Select Input

**Navigate:** Main Menu → Set → Select Input

Select the control input for the fixture:

- DMX Only
- Art-Net on IP2
- Art-Net on IP10
- sACN

## Set Universe for Art-Net and sACN

**Navigate:** Main Menu → Set → Set Universe

When using Art-Net control input, set a universe value of 000–255.

When using sACN control input, set a universe value of 001–255.

## Access Service Settings

**Navigate:** Main Menu → Set → Service Setting

Parameter	Value	Description
Service PIN	Service PIN XXX	You must enter the Service PIN in order to access the other Service Setting parameters. The default Service PIN is 050.
RDM UID	Manufacturer ID and a randomly generated number	This password-protected menu item lets you modify the RDM UID. You must enter the Service PIN to access this menu item.  <b>Note:</b> Remote Device Management (RDM) requires that all RDM devices have a unique identifier (UID). Modifying this setting can break the RDM capability of this fixture.  Duplicate RDM UIDs on the same DMX control run will result in a data collision, causing a communication failure. Ensure that all fixtures have a unique RDM UID if RDM functionality is to be used.  If DMX splitters are used and RDM control is to be used, these splitters must support RDM.
Ethernet IP	XXX.XXX.XXX.XXX	This password-protected menu item lets you modify the IP address. You must enter the Service PIN to access this menu item. The default IP address is 002.142.058.034.
Ethernet Mask IP	XXX.XXX.XXX.XXX	This password-protected menu item lets you modify the IP subnet mask. You must enter the Service PIN to access this menu item. The default IP subnet mask is 255.000.000.000.
Clr Err Info	<ul style="list-style-type: none"><li>• ON</li><li>• OFF</li></ul>	This password-protected menu item lets you clear error messages after you have fixed the errors. You must enter the Service PIN to access this menu item.  Set this parameter to ON in order to clear the error messages. The default setting is OFF.

## Set the Fans Mode

**Navigate:** Main Menu → Set → Fans Mode Setting

Select the fan mode for the fixture:

- Standard
- Studio (reduces fan noise, but decreases fixture output by ~20%)

## Set Display Settings

**Navigate:** Main Menu → Set → Disp. Setting

Parameter	Value	Description
Shutoff Time	02–60 minutes	Enter the amount of time the fixture waits after the last user interface button press until the display goes to sleep. The default value is 5 minutes.
Flip Display	<ul style="list-style-type: none"><li>• ON</li><li>• OFF</li></ul>	Flip the display 180° when the fixture is mounted vertically. The default value is OFF.  Shortcut: With the main UI window displayed, press [>] to flip the display 180°. Press [<] to flip it back to its original orientation.
Key Lock	<ul style="list-style-type: none"><li>• ON</li><li>• OFF</li></ul>	Lock the user interface. The default value is OFF. To unlock the user interface navigation buttons, press and hold the [MODE/ESC] button for three seconds.

## Set the Temperature Scale

**Navigate:** Main Menu → Set → Temp. C/F

Select the temperature scale for the fixture:

- Celsius (default value)
- Fahrenheit

## Update Software



**Note:** Lonestar software versions 1.4.1 and later are not backwards compatible with earlier versions of software. After you update a fixture to software version 1.4.1 or later, you will be unable to upload earlier software versions to that fixture.

For assistance, contact ETC Technical Services. See [Help from Technical Services on page 6](#).

---

When Lonestar fixtures are connected to data, you can update software directly using UpdaterAator. For information about UpdaterAator, see the *UpdaterAator Software Quick Guide* and the *UpdaterAator Software Release Note*, which you can download from [etconnect.com/UpdaterAator/](http://etconnect.com/UpdaterAator/).

You can also update software using the USB port on the fixture.

Fixture software updates are available on the ETC website at [etcconnect.com/Products/Automated-Fixtures](http://etcconnect.com/Products/Automated-Fixtures).

**Navigate:** Main Menu → Set → USB Update

1. Download the software zip file from the ETC website.
2. Unzip the contents of the zip file.
3. Save the contents of the zip file to the root directory of a FAT32-formatted USB drive.
4. Insert the USB drive into the USB port on the fixture base.
5. On the **Main Menu**, select **Set → USB Update**. The fixture reads the USB drive and displays a list of any software update files on the USB drive.
6. Select the appropriate file and then press the Enter button.
7. The software prompts you to confirm the update with the message "Update fixture?" Use the navigation buttons to select "Yes," and then press the Enter button to start the software update.
  - A progress monitor shows you the progress of the update.
  - When the update is complete, the fixture performs a data check to verify the update and then the fixture restarts itself.
  - The software update is complete when the display returns to its default state.
8. Remove the USB drive from the fixture.

### ***CMY Curve***

**Navigate:** Main Menu → Set → CMY Curve

Select the CMY curve mode.

- **Color Linear:** Provides a linear color path with even color steps across the CMY color space.
- **Mechanical Linear:** Provides the legacy Lonestar color path. This is the default setting.

### ***CTO Curve***

**Navigate:** Main Menu → Set → CTO Curve

Select the CTO curve mode.

- **CTO Linear:** Provides a Linear CTO path with even steps of CCT change down to 1800 K.
- **Mechanical Linear:** Provides the legacy Lonestar CTO color path. This is the default setting.

### ***Set the Protocol***

**Navigate:** Main Menu → Set → Protocol

Select the DMX protocol:

- **Standard** (default)
- **Trifusion Frost** (includes two channels that allow the prism to function as a third diffusion if you have installed a diffusion in the prism slot)

### ***Reset Fixture to Factory Default Settings***

**Navigate:** Main Menu → Set → Reset Default

Select ON to reset the fixture to the factory default settings.

## Test Menu

### *Reset (Home) the Mechanical Positions on the Fixture*

**Navigate:** Main Menu → Test → Home

Reset ("home") all features on the fixture, including, pan, tilt, colors, gobos, etc.

### *Test the Fixture*

**Navigate:** Main Menu → Test → Self Test

Run a self-test program on the fixture. When you run the test, the display indicates "Running" and the fixture automatically runs a self-test procedure, testing each of the functions. Press the [MODE/ESC] button to end the self-test and return the display to the previous menu.

### *Test an Individual Channel*

**Navigate:** Main Menu → Test → Test Channel

Run a self-test program on individual channels. The default value is Control. Select a different channel to run a self-test on that channel.

### *Manually Set an Individual Channel*

**Navigate:** Main Menu → Test → Manual Ctrl.

Select an individual channel on the fixture and manually set the channel value. While in Manual Control mode, all effects are canceled, the shutter opens, and the dimmer intensity is set to 100%.

### *Re-Calibrate an Individual Feature*

**Navigate:** Main Menu → Test → Calibration

Please contact Technical Services before using this parameter. See [Help from Technical Services on page 6](#).

You must enter the Calibration PIN in order to access the Calibration menu items. The default Calibration PIN is 050.

Once you have accessed the Calibration menu, select an individual feature on the fixture and manually calibrate it to a new "home" setting.



**Note:** *Changes you make to the fixture settings in the Calibration menu are not changed if you reset the fixture to the factory default settings. The Calibration settings are saved until they are changed in the Calibration menu.*

---

## Preset Menu

**Navigate:** Main Menu → Preset

Presets are built by combining scenes into programs and then assigning the programs to Program Partitions for playback. For information about the **Preset** menu, access the *High End Systems Preset Menu Guide* from the ETC support website: [support.etcconnect.com](http://support.etcconnect.com).

# Install the Heavy Diffusion Accessory



**WARNING: RISK OF ELECTRIC SHOCK!** Failure to disconnect all power to the fixture before working inside could result in serious injury or death.

Disconnect power from the fixture and follow appropriate Lockout/Tagout procedures as mandated by NFPA 70E. Any work must comply with OSHA Safe Working Practices and follow requirements by local code.

**AVERTISSEMENT : RISQUE DE CHOC ÉLECTRIQUE!** Travailler à l'intérieur du luminaire sans avoir déconnecté le courant peut entraîner des blessures graves, voire mortelles.

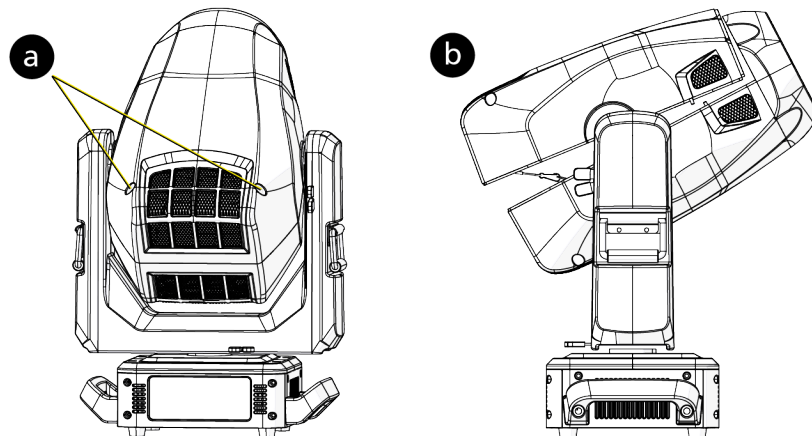
Déconnectez l'alimentation du luminaire et suivez les procédures de Consignation/Déconsignation appropriées prescrites par la norme NFPA 70E. Tout travail doit être conforme aux consignes de sécurité du travail de l'OSHA et respecter les codes locaux.

A heavy diffusion (65%) accessory for the Lonestar fixture is available separately for purchase. The heavy diffusion is installed in place of the prism in the head of the fixture. When the heavy diffusion is installed, you must use the Trifusion Frost DMX protocol so that the fixture will home properly. (See [Set the Protocol on page 25](#) and [DMX Channels on page 16](#) for details.)

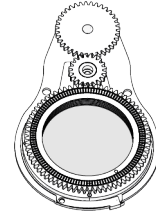
To purchase the accessory, contact ETC Technical Services or your authorized ETC dealer. See [Help from Technical Services on page 6](#) for contact information.

## Tool needed:

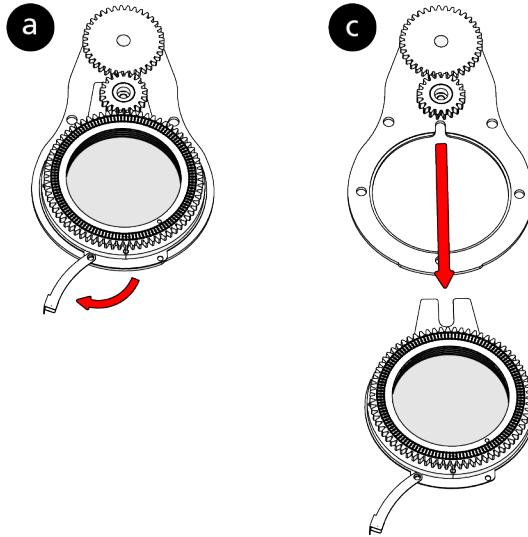
- #3 Phillips screwdriver
1. Disconnect power to the fixture and allow it to cool completely before continuing.
  2. Remove the head cover. You only need to remove the head cover that is on the top of the fixture when the front lens is facing away from you and the tilt lock is to the right of the fixture head.
    - a. Using a #2 Phillips screwdriver, loosen the captured Phillips screws that secure the cover to the fixture.
    - b. Lift the cover, and then detach the safety lanyard from the fixture to completely remove the cover.



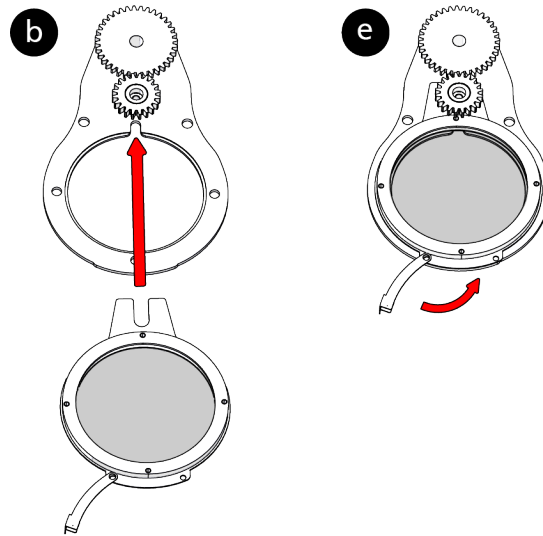
The prism assembly (shown at right) is located near the front lens on the left side of the fixture head when the front lens is facing away from you and the tilt lock is to the right of the fixture head.



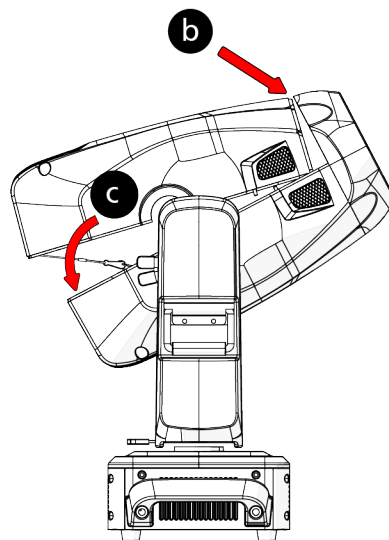
3. If necessary, gently push the zoom lens toward the front lens to move it away from the prism assembly. Take care to not touch the zoom lens itself.
4. Remove the prism carrier from the prism assembly.
  - a. Open the clip on the front edge of the prism carrier.
  - b. Grasp the edges of the prism carrier and lift it slightly to separate it from the prism assembly.
  - c. Slide the prism carrier from the assembly.



5. Install the diffusion carrier.
  - a. Open the clip on the front edge of the diffusion carrier.
  - b. Slide the carrier into the prism assembly so that the forks on the edge of the carrier are positioned on either side of the gear stem and are beneath the retaining ring of the small gear.
  - c. Push the carrier into the prism assembly until it is fully seated against the gear stem.
  - d. Using your thumb and forefinger, squeeze the diffusion carrier and the prism assembly together to seat the carrier firmly on the prism assembly.
  - e. Close the clip to secure the diffusion carrier to the prism assembly. Make sure the clip encompasses both the edge of the carrier and the edge of the prism assembly.



6. Reinstall the head cover.
  - a. Align the head cover with the fixture and reattach the safety lanyard to the fixture.
  - b. Angle the cover under the front housing.
  - c. Slide the back of the cover down and align its edges with the edges of the other cover.
  - d. Secure the cover in place by tightening the captured Phillips screws.



# Replace a Gobo



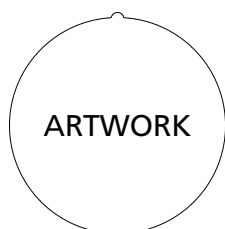
**CAUTION: RISK OF ELECTRIC SHOCK! Disconnect power before servicing.**

**ATTENTION : RISQUE DE CHOC ÉLECTRIQUE! Couper l'alimentation avant l'entretien.**

## Considerations for Custom Gobos

ETC recommends that custom gobos for use in the Lonestar fixture be BOROFLOAT® or aluminum material.

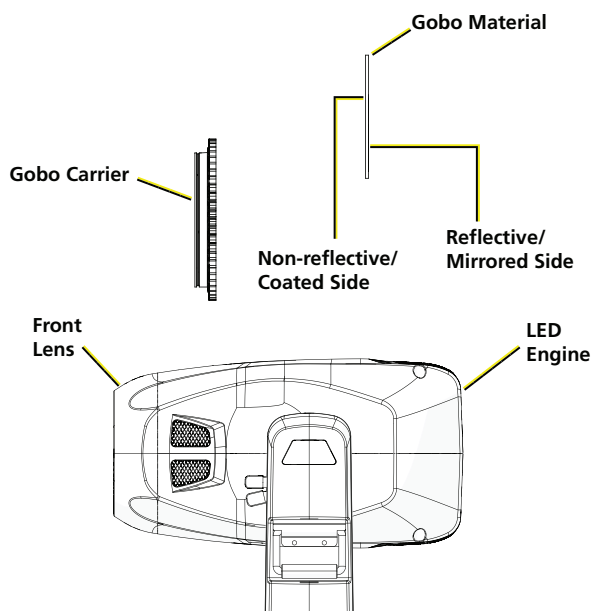
When looking at the gobo from the LED engine, the gobo artwork must be oriented as you want it to appear when projected as shown in the graphic that follows.



## Gobo Orientation

Before installing a new gobo, identify the reflective/mirrored side of the gobo to ensure the correct orientation of the new gobo in the gobo wheel.

The reflective/mirrored side of the gobo must face toward the LED engine when the gobo carrier is installed in the gobo wheel.



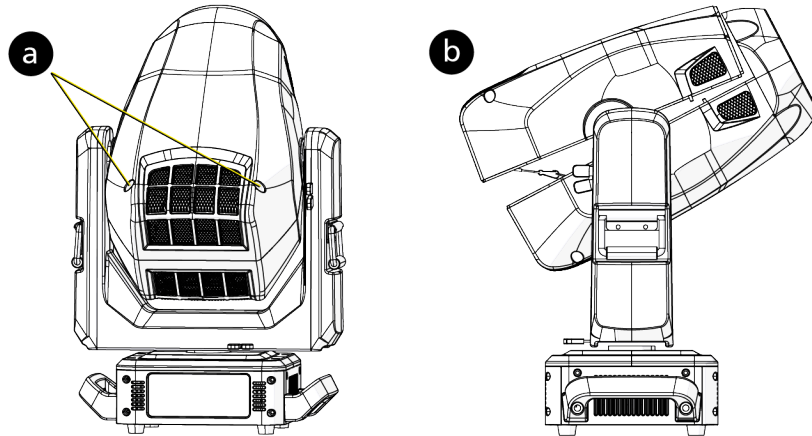
## Replace a Gobo



**Note:** ETC recommends that you wear clean cotton gloves when changing gobos to protect the gobos from dirt and fingerprints.

### Parts and tools required:

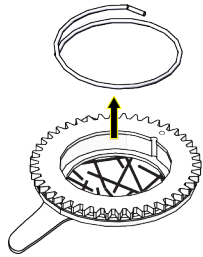
- #2 Phillips screwdriver
  - Replacement gobo
  - Precision flatblade screwdriver
  - Needle nose pliers
1. Disconnect power to the fixture and allow it to cool completely before continuing.
  2. Remove the head cover. You only need to remove the head cover that is on the top of the fixture when the front lens is facing away from you and the tilt lock is to the right of the fixture head.
    - a. Using a #2 Phillips screwdriver, loosen the captured Phillips screws that secure the cover to the fixture.
    - b. Lift the cover, and then detach the safety lanyard from the fixture to completely remove the cover.



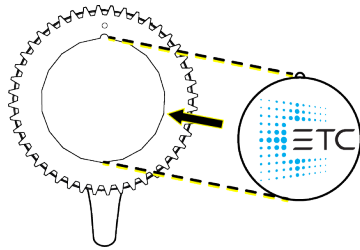
The gobo wheel is located in the effects module, which is located near the bottom of the fixture head above the LED engine.

3. Locate the gobo you want to remove.
4. Remove the gobo carrier from the gobo wheel.
  - a. Using a precision flatblade screwdriver or a finger nail, push down on the edge of the gobo carrier to move the carrier out of its slot in the gobo wheel.
  - b. Using a needle nose pliers, grip the edge of the gobo carrier and pull the carrier out of the gobo wheel.

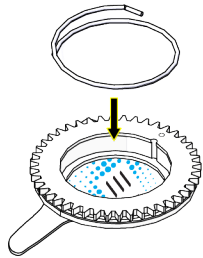
5. Remove the gobo from the gobo carrier.
  - a. Use a precision flatblade screwdriver to carefully pry the spring out of the gobo carrier.
  - b. Remove the gobo from the gobo carrier.



6. Insert the new gobo into the gobo carrier.
  - a. Verify that the reflective side of the gobo is facing up. (See [Gobo Orientation on page 30](#) for details.)
  - b. Align the alignment tab on the gobo with the notch in the gobo carrier, and insert the gobo into the carrier.

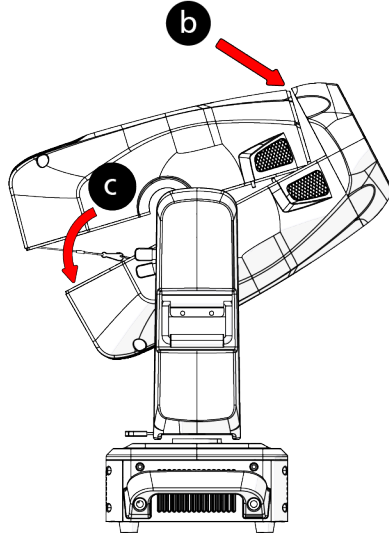


7. Carefully insert the spring into the gobo carrier to secure the gobo.



8. Insert the gobo carrier into the gobo wheel.
  - a. Locate the slot in which you want to install the gobo carrier.
  - b. Push the gobo carrier into its slot in the gobo wheel until the gobo carrier is firmly seated in the gobo wheel.

9. Reinstall the head cover.
  - a. Align the head cover with the fixture and reattach the safety laynard to the fixture.
  - b. Angle the cover under the front housing.
  - c. Slide the back of the cover down and align its edges with the edges of the other cover.
  - d. Secure the cover in place by tightening the captured Phillips screws.



# Error Codes

---

When you apply power to the fixture, it runs a calibration (homing) sequence and displays any errors that it detects.



**Example:** *When the display shows “Err channel: Pan Movement”, it means there is an error in channel 1. When multiple errors are present they will cycle on the display twice, and then the fixture will reset (restart). Any errors that remain after two reset cycles are not correctable by reset alone and will require service. These errors are stored in the fixture error history until the errors are cleared. Please contact Technical Services for assistance.*

## ***Animation***

This message displays after the reset of the fixture if any of the following conditions exist:

- the magnetic-indexing circuit malfunctions (optical or magnetic sensor failure)
- the stepper motor is defective or the related IC driver on the main PCB has failed
- the Animation wheel is not located in the default position after the reset

## ***Animation\_Rot***

This message displays after the reset of the fixture if any of the following conditions exist:

- the magnetic-indexing circuit malfunctions (optical or magnetic sensor failure)
- the stepper motor is defective or the related IC driver on the main PCB has failed
- the Animation Rotating wheel is not located in the default position after the reset

## ***Blade Rot***

This message displays after the reset of the fixture if any of the following conditions exist:

- the magnetic-indexing circuit malfunctions (optical or magnetic sensor failure)
- the stepper motor is defective or the related IC driver on the main PCB has failed
- the Blade rotation is not located in the default position after the reset

## ***Color***

This message displays after the reset of the fixture if any of the following conditions exist:

- the magnetic-indexing circuit malfunctions (optical or magnetic sensor failure)
- the stepper motor is defective or the related IC driver on the main PCB has failed
- the Color wheel is not located in the default position after the reset

## ***CMY***

This message displays after the reset of the fixture if any of the following conditions exist:

- the fixture head's magnetic-indexing circuit malfunctions (optical or magnetic sensor failure)
- the stepper motor is defective or the related IC driver on the main PCB has failed
- the CMY wheel is not located in the default position after the reset

### ***Focus***

This message displays after the reset of the fixture if any of the following conditions exist:

- the magnetic-indexing circuit malfunctions (optical or magnetic sensor failure)
- the stepper motor is defective or the related IC driver on the main PCB has failed
- the Focus wheel is not located in the default position after the reset

### ***Frost 1***

This message displays after the reset of the fixture if any of the following conditions exist:

- the magnetic-indexing circuit malfunctions (optical or magnetic sensor failure)
- the stepper motor is defective or the related IC driver on the main PCB has failed
- Frost wheel 1 is not located in the default position after the reset

### ***Frost 2***

This message displays after the reset of the fixture if any of the following conditions exist:

- the magnetic-indexing circuit malfunctions (optical or magnetic sensor failure)
- the stepper motor is defective or the related IC driver on the main PCB has failed
- Frost wheel 2 is not located in the default position after the reset

### ***Gobo 1***

This message displays after the reset of the fixture if any of the following conditions exist:

- the magnetic-indexing circuit malfunctions (optical or magnetic sensor failure)
- the stepper motor is defective or the related IC driver on the main PCB has failed
- Gobo Wheel 1 is not located in the default position after the reset

### ***Gobo Rot 1***

This message displays after the reset of the fixture if any of the following conditions exist:

- the magnetic-indexing circuit malfunctions (optical or magnetic sensor failure)
- the stepper motor is defective or the related IC driver on the main PCB has failed
- Gobo Rotating Wheel 1 is not located in the default position after the reset

### ***Pan Coarse***

This message displays after the reset of the fixture if any of the following conditions exist:

- the yoke's magnetic-indexing circuit malfunctions (optical or magnetic sensor failure)
- the stepper motor is defective or the related IC driver on the main PCB has failed
- the Pan movement is not located in the default position after the reset

### ***Prism***

This message displays after the reset of the fixture if any of the following conditions exist:

- the magnetic-indexing circuit malfunctions (optical or magnetic sensor failure)
- the stepper motor is defective or the related IC driver on the main PCB has failed
- the Prism wheel is not located in the default position after the reset

### ***Prism\_Rot***

This message displays after the reset of the fixture if any of the following conditions exist:

- the magnetic-indexing circuit malfunctions (optical or magnetic sensor failure)
- the stepper motor is defective or the related IC driver on the main PCB has failed
- the Prism wheel is not located in the default position after the reset

### ***Tilt Coarse***

This message displays after the reset of the fixture if any of the following conditions exist:

- the magnetic-indexing circuit malfunctions (optical or magnetic sensor failure)
- the stepper motor is defective or the related IC driver on the main PCB has failed
- the Tilt movement is not located in the default position after the reset

### ***Zoom***

This message displays after the reset of the fixture if any of the following conditions exist:

- the magnetic-indexing circuit malfunctions (optical or magnetic sensor failure)
- the stepper motor is defective or the related IC driver on the main PCB has failed
- the Zoom wheel is not located in the default position after the reset

# Maintenance

---



**CAUTION: RISK OF ELECTRIC SHOCK! Disconnect power before servicing.**

**ATTENTION : RISQUE DE CHOC ÉLECTRIQUE! Couper l'alimentation avant l'entretien.**

---

To ensure that the fixture remains in good working condition and does not fail prematurely, ETC recommends that you perform regular maintenance on the fixture.

Keep the following in mind during regular service and inspection:

- All screws for installing the fixture or parts of the fixture must be tightly connected and must not be corroded.
- There must not be any deformations to the housing, lenses, rigging, and installation points (ceiling, suspension, trussing).
- Moving parts must not show any signs of wear and must move smoothly without issue.
- The power supply cables must not show any damage, material fatigue, or sediment.
- If spare parts are required, order only genuine parts from ETC or your authorized ETC dealer.

## Clean the Fixture

1. Clean the inside and outside of the lens regularly using a damp, lint-free cloth to avoid loss of output due to accumulation of dust/dirt on the lens. Never use alcohol or solvents.
  2. Clean the fans regularly to ensure maximum airflow and efficient cooling. This will ensure that the light source operates in the best possible condition.
- 



**Note:** *If you use compressed air to clean the fans, hold the fan blades in place while cleaning them. Letting the fans spin while using compressed air could damage the fans.*

---

## Replace the Fuse

The fuse in this fixture is not user-replaceable. Contact ETC Technical Services for assistance. See [Help from Technical Services on page 6](#) for contact information.

# Compliance

---

For current and complete compliance information, view the product datasheet at [etcconnect.com/Products/Automated-Fixtures](https://etcconnect.com/Products/Automated-Fixtures). For complete product documentation, including compliance documentation, visit [etcconnect.com/products](https://etcconnect.com/products).

## FCC Compliance

### High End Systems Lonestar

(For any FCC matters):

Electronic Theatre Controls, Inc.  
3031 Pleasant View Road  
Middleton, WI 53562  
+1 (608) 831-4116  
[etcconnect.com](https://etcconnect.com)

This device complies with Part 15 of the FCC Rules. Operation is subject to the following two conditions: (1) this device may not cause harmful interference, and (2) this device must accept any interference received; including interference that may cause undesired operation. Visit [etcconnect.com/products](https://etcconnect.com/products) for current and complete compliance information including FCC compliance.



**Note:** *This equipment has been tested and found to comply with the limits for a Class A digital device, pursuant to Part 15 of the FCC rules. These limits are designed to provide reasonable protection against harmful interference when the equipment is operated in a commercial environment. This equipment generates, uses, and can radiate radio frequency energy and, if not installed and used in accordance with the instructions, may cause harmful interference to radio communications. Any modifications or changes to this product not expressly approved by Electronic Theatre Controls, Inc. could void the user's authority to operate the product. Operation of this equipment in a residential area is likely to cause harmful interference, in which case the user will be required to correct the interference at their own expense.*

---





**Corporate Headquarters** ■ Middleton, WI, USA | +1 608 831 4116  
**Global Offices** ■ London, UK | Rome, IT | Holzkirchen, DE | Paris, FR | Hong Kong | Dubai, UAE | Singapore  
New York, NY | Orlando, FL | Los Angeles, CA | Austin, TX | © 2025 Electronic Theatre Controls, Inc.  
**Web** [etconnect.com](http://etconnect.com) | **Support** [support.etconnect.com](http://support.etconnect.com) | **Contact** [etconnect.com/contactETC](http://etconnect.com/contactETC)  
Trademark and patent info: [etconnect.com/ip](http://etconnect.com/ip) | Third-party license agreement info: [etconnect.com/licenses](http://etconnect.com/licenses)  
Product information and specifications subject to change. ETC intends this document to be provided in its entirety.  
2550M1200-1.6.7 Rev B Released 2025-04