

Notes:  
 -Small Cart Fabricated with 1 5/8" Channel Strut  
 -Large Cart Fabricated with 1 3/4" Square Tube

### JRLX Touring Carts

DESIGNED BY:  
 PHONE:  
 EMAIL:

### Small Cart Dimensions

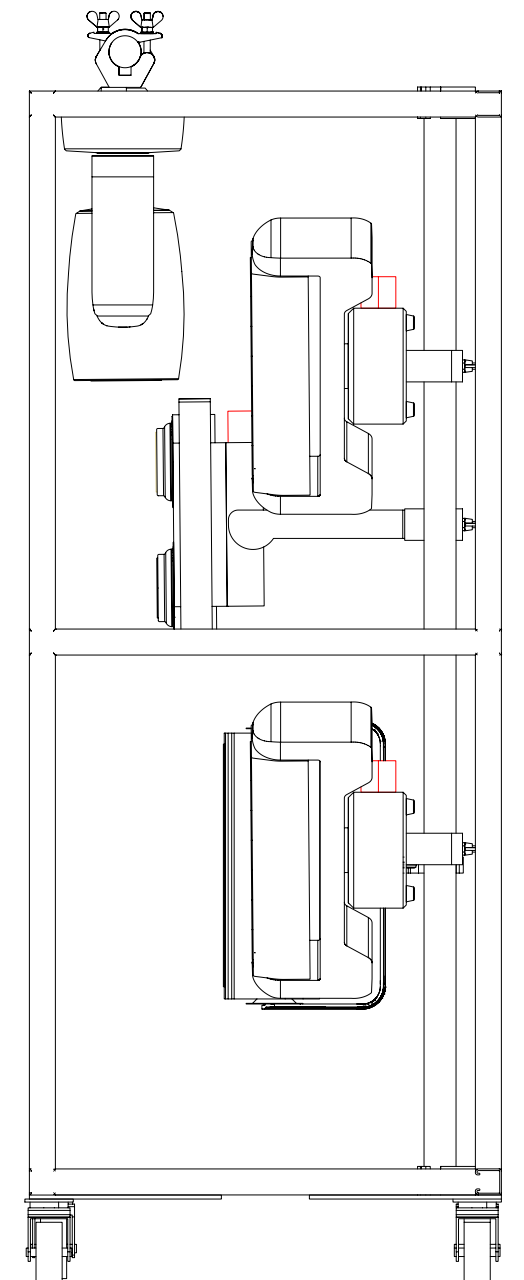
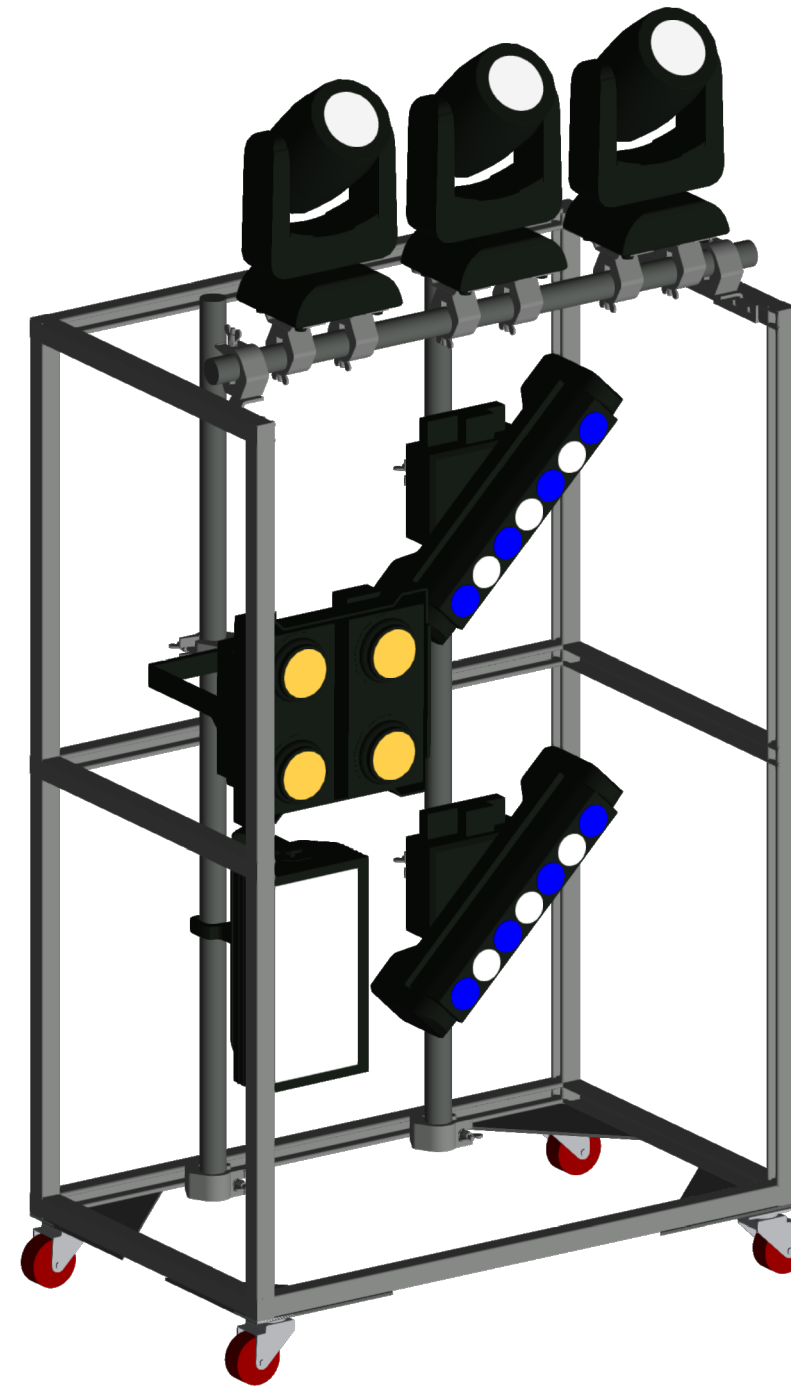
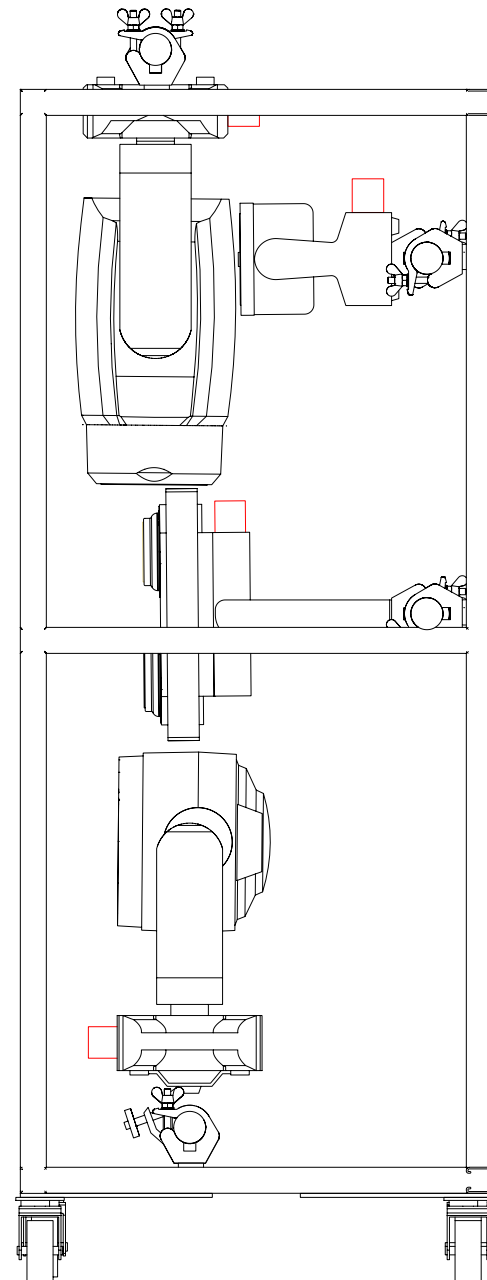
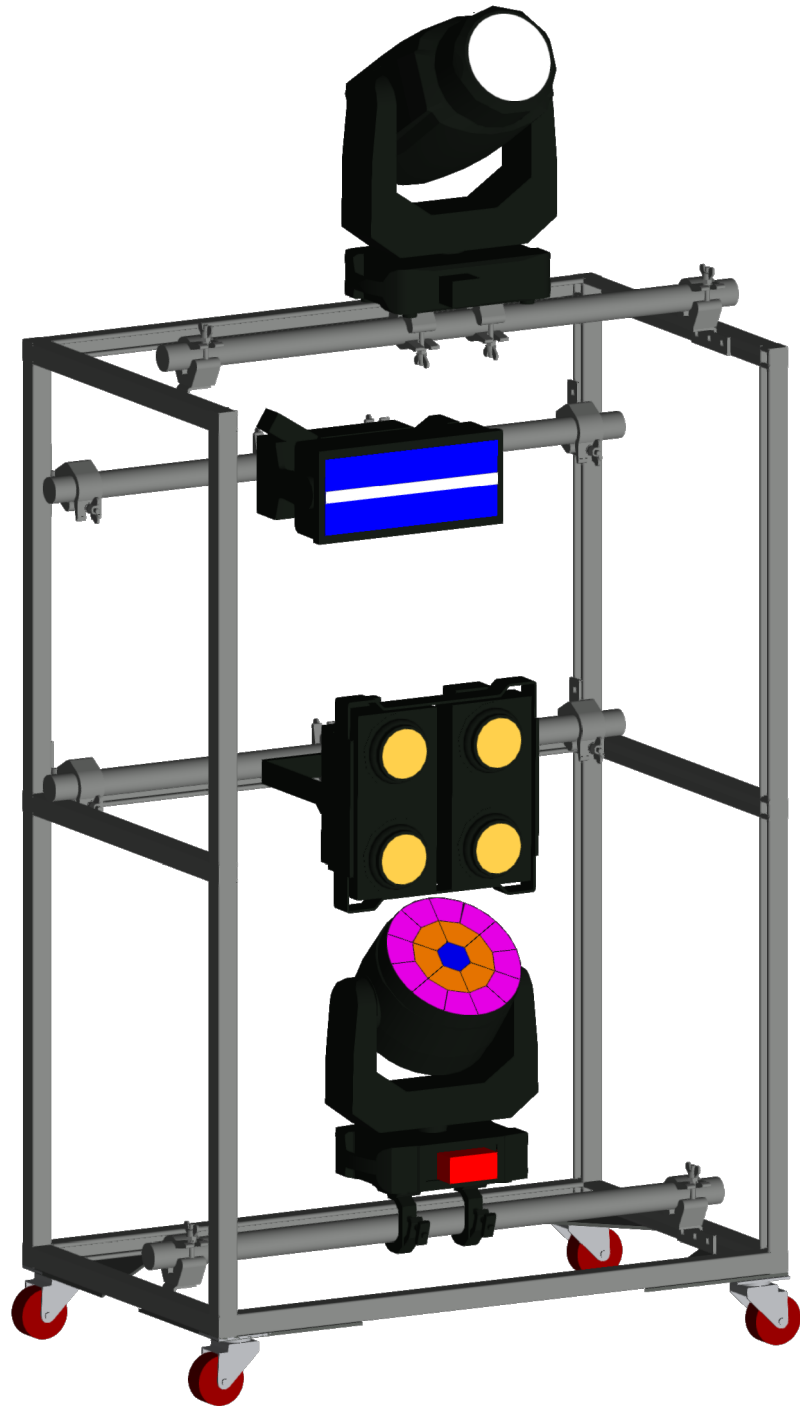
CAD FILE: JRLX Touring Cart.wvx	
DRAWN BY: Grant Kondourajian	
DATE: 1/16/2019	Revisions: A 1/16/2020

Show Configuration

Travel Configuration

Show Configuration

Travel Configuration



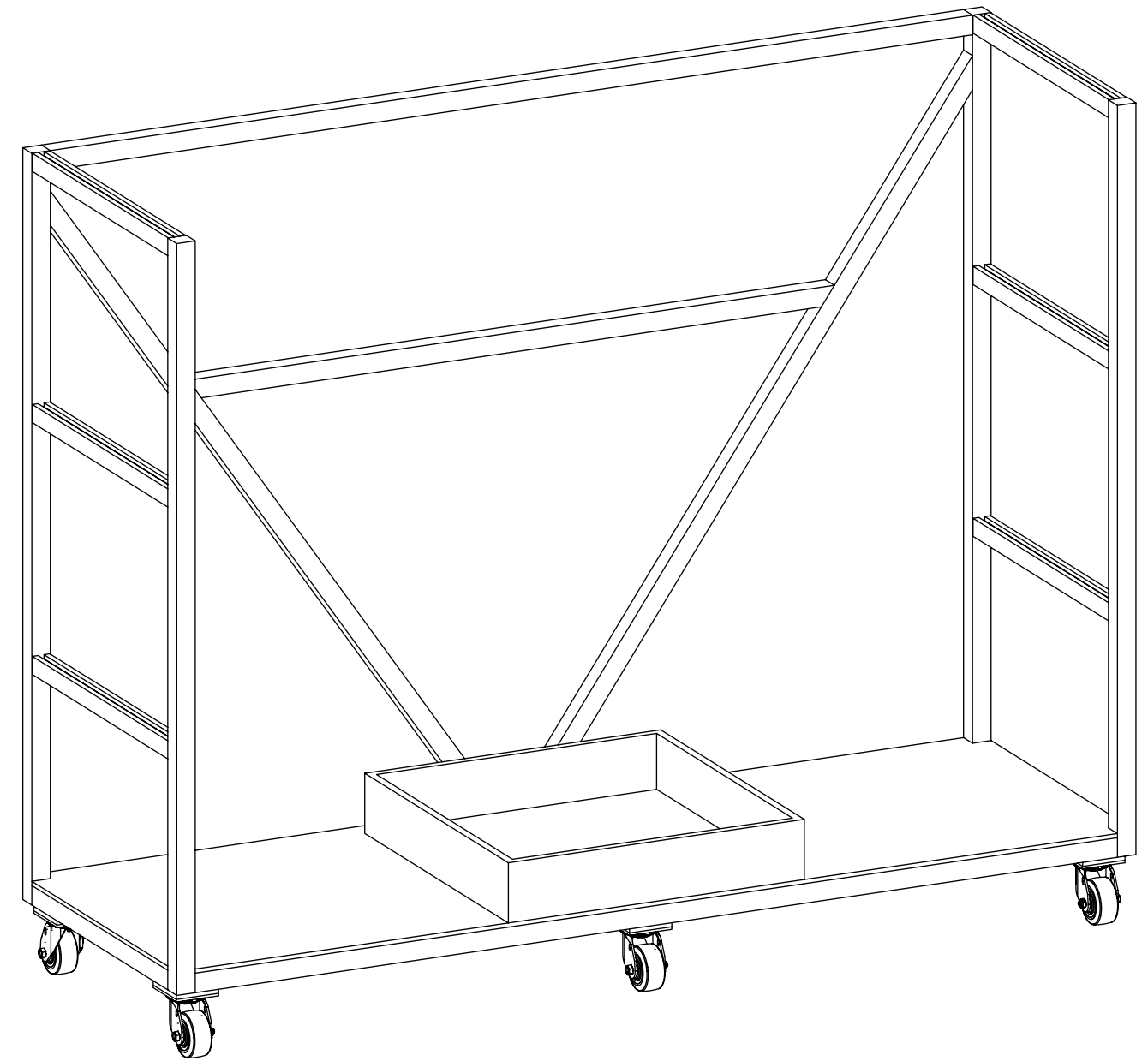
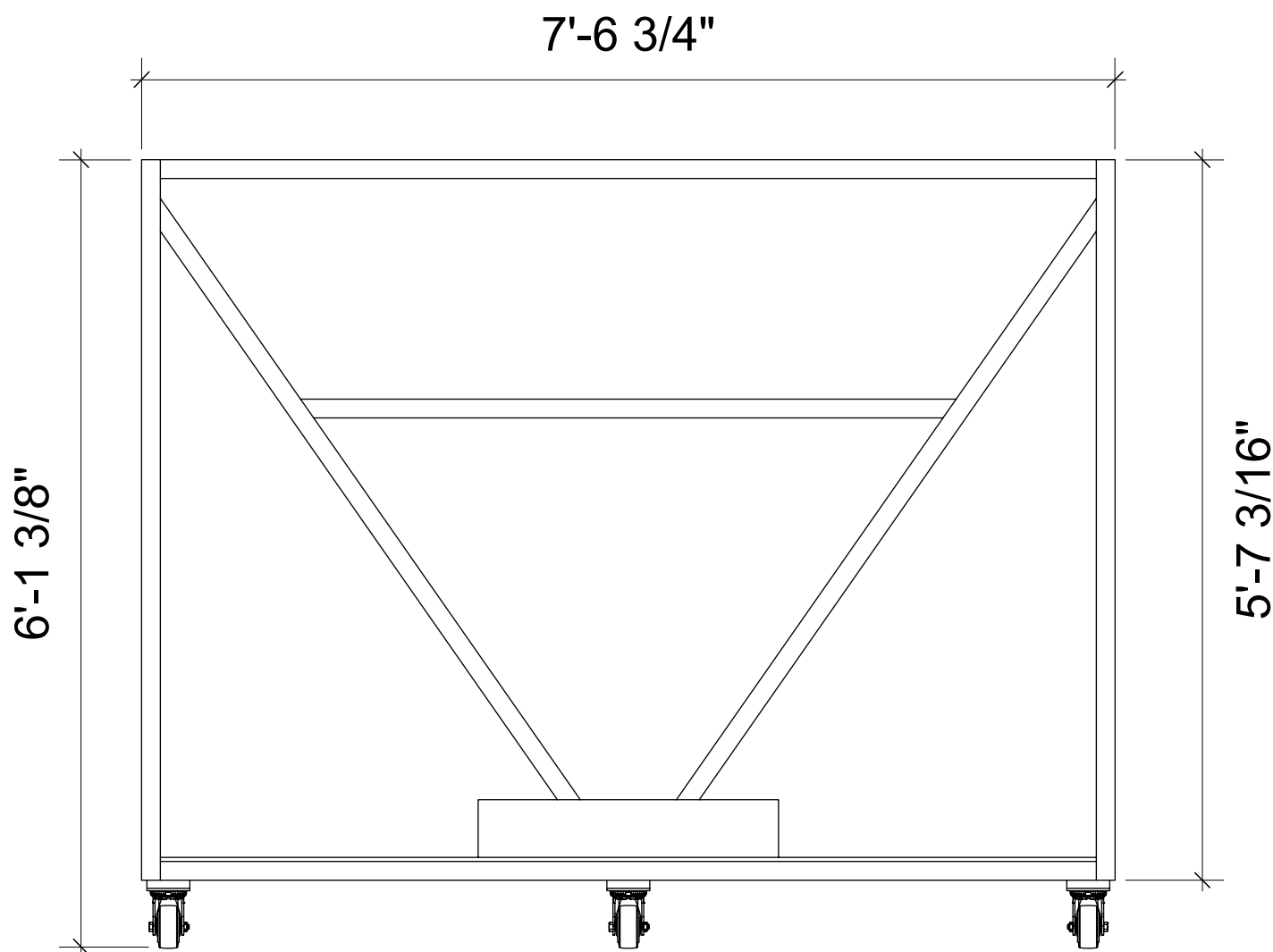
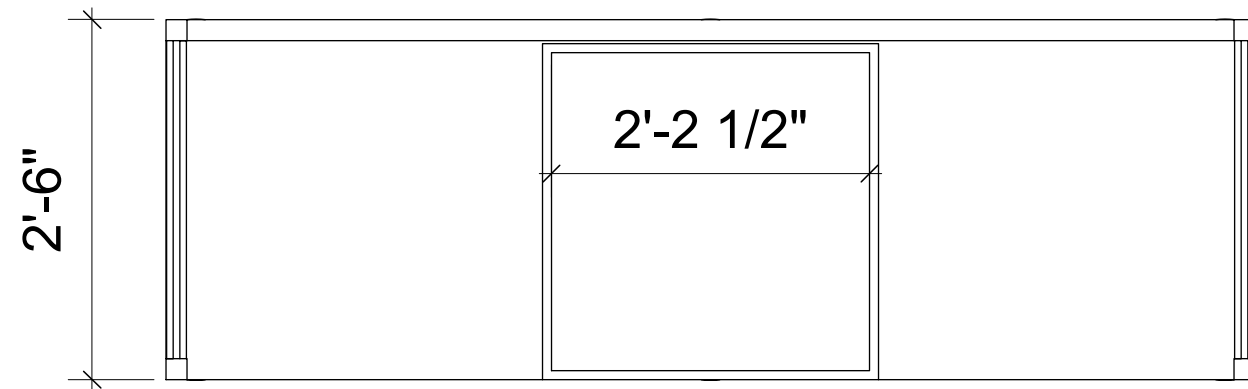
Notes:  
 -Small Cart Fabricated with 1 5/8" Channel Strut  
 -Large Cart Fabricated with 1 3/4" Square Tube

JRLX Touring Carts

DESIGNED BY:  
 PHONE:  
 EMAIL:

Small Cart Configuration Examples

CAD FILE: JRLX Touring Cart.wvx  
 DRAWN BY: Grant Kondourajian  
 DATE: 1/16/2019      Revisions: A 1/16/2020



Notes:  
 -Small Cart Fabricated with 1 5/8" Channel Strut  
 -Large Cart Fabricated with 1 3/4" Square Tube

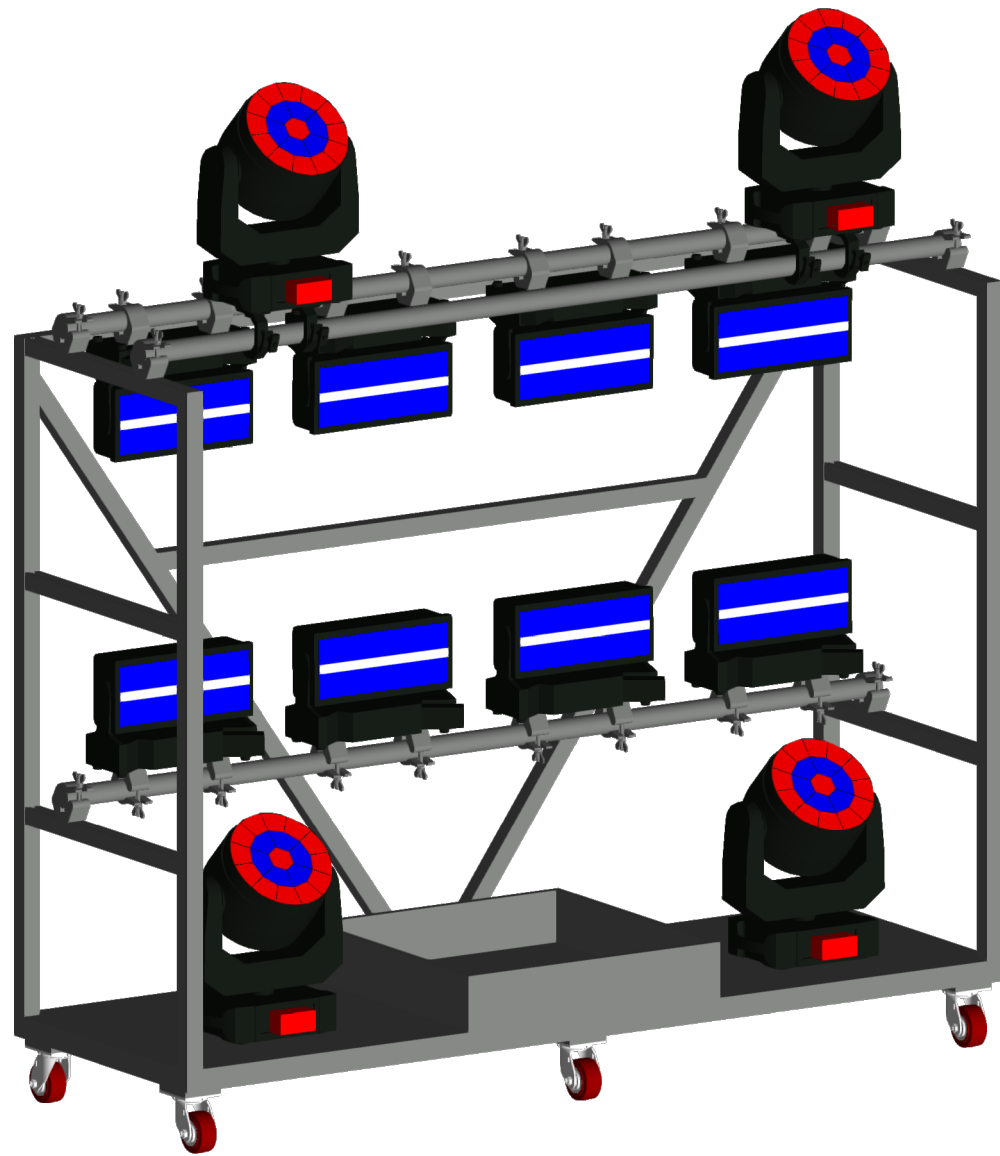
### JRLX Touring Carts

DESIGNED BY:  
 PHONE:  
 EMAIL:

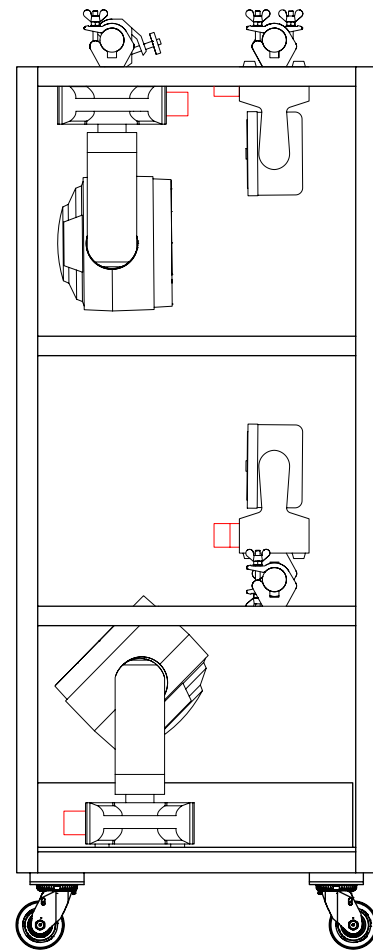
### Large Cart Dimensions

CAD FILE: JRLX Touring Cart.wvx	
DRAWN BY: Grant Kondourajian	
DATE: 1/16/2019	Revisions: A 1/16/2020

Show Configuration



Travel Configuration



Show Configuration



Travel Configuration

